



a Geberit company

2100 South Clearwater Drive  
Des Plaines, IL 60018  
Phone: 847-803-5000  
Fax: 847-803-5454  
www.chicagofaucets.com

# REPAIR PARTS

BY: SID DATE: 10-30-19

CHK: *DA* REV:

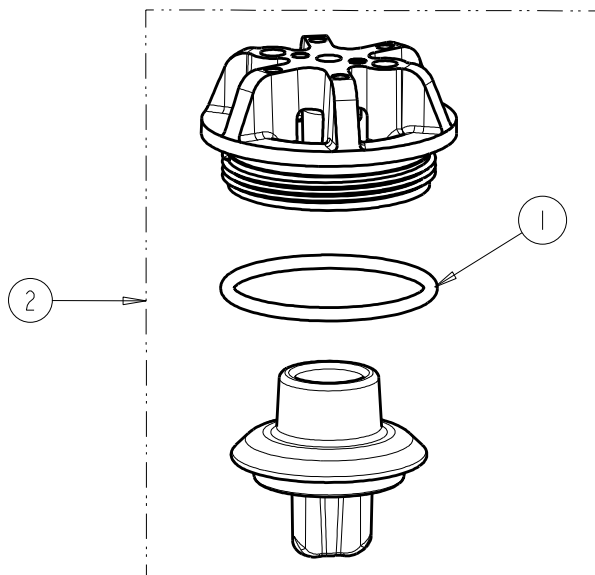
FITTING NO.

892-302KJKABNF

SUBMITTED MODEL NO.

ITEM NO.

**FOR TECHNICAL ASSISTANCE**  
1-800-TEC-TRUE (1-800-832-8783)



ITEM	PART NO.	DESCRIPTION
1	80-007JKABNF	O RING 0.989 X .070
2	892-302KJKABNF	VACUUM BREAKER REPAIR KIT